



Submittal Data Sheet

Series Name:SAJA SERIES

Job Name _____ Location _____ Date _____
 Purchaser _____ Engineer _____
 Submitted to _____ For Reference Approval Construction
 Unit Designation _____ Schedule # _____

AHRI No: 216011716



CONFORMS TO
UL STD 1995
CERTIFIED TO
CSA STD C22.2
NO. 236



Specifications

Specifications				
Model				
Indoor Unit				ISA32121
Outdoor Unit				OSA32121
Cooling	Capacity	Rated	Btu/h	12000
	Capacity Range	Min-Max	Btu/h	2728-14322
	Power Input	Rated	W	1600
	Operating Range	°F		
Heating	Capacity at 47F	Rated	Btu/h	12300
	Capacity Range	Min-Max	Btu/h	2728-15004
	Power Input at 47F	Rated	W	1600
	Capacity at 17F	Rated	Btu/h	7500
	Capacity at 5F	Max	Btu/h	8200
	Capacity at -5°F	Max	Btu/h	/
	Operating Range	°F		
Efficiency	SEER2			21
	HSPF2			10
Indoor Unit	Air Flow Rate(SH/H/M/L/Q)		CFM	/
	Sound Pressure Level	Cooling	dB(A)	42/37/34/30/23
		Heating	dB(A)	42/37/33/29
	Package Dimensions	H	In.[mm]	14.45[367]
		W	In.[mm]	32.48[825]
		D	In.[mm]	10.91[277]
	Net Dimensions	H	In.[mm]	11.61 [295]
		W	In.[mm]	29.96 [761]
D		In.[mm]	7.87[200]	

NG products are subject to continuous improvements. NG reserves the right to modify product design, specifications and information in this data sheet without notice and without incurring any obligations. Actual unit design may differ from images shown in this submittal sheet.

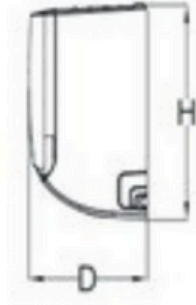
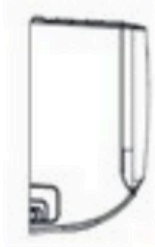
	Net Weight	lbs[kg]		17.64[8]
Outdoor Unit	Package Dimensions	H	In.[mm]	23.43 [595]
		W	In.[mm]	32.48[825]
		D	In.[mm]	13.58 [345]
	Net Dimensions	H	In.[mm]	21.18[538]
		W	In.[mm]	27.99 [711]
		D	In.[mm]	11.02 [280]
	Net Weight	lbs[kg]		52.91[24]
Sound Pressure Level	Cooling	dB(A)	52	
	Heating	dB(A)	52	
Piping	Diameter	Gas(0.D.)	In.[mm]	9.52[3/8]
		Liquid(0.D.)	In.[mm]	6.35[1/4]
		Indoor Drain	In.[mm]	/
	Min.Length	ft [m]		/
	Max.Length	ft [m]		/
	Max.Height	ft [m]		/
Electrical	Outdoor-Indoor	V,ph,Hz		208~230V,1,60Hz
	Recommended Breaker Size	A		/
	MCA	A		7.2A
	MOCP	A		/
Refrigerant	Refrigerant Type			R32
	Pre-Charge Amount oz			17.64oz
	Additional Charge Per Foot over 25ft			0.258oz/ft

NG products are subject to continuous improvements. NG reserves the right to modify product design, specifications and information in this data sheet without notice and without incurring any obligations. Actual unit design may differ from images shown in this submittal sheet.



Dimensions

Indoor Unit:
ISA32121

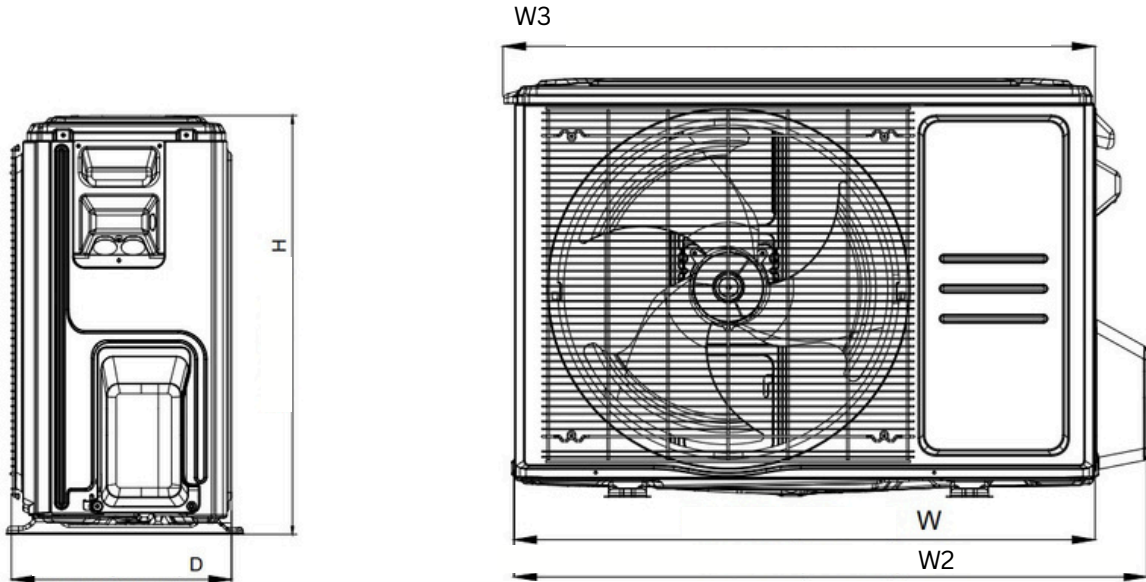


H	In	11.61
W	In	29.96
D	In	7.87

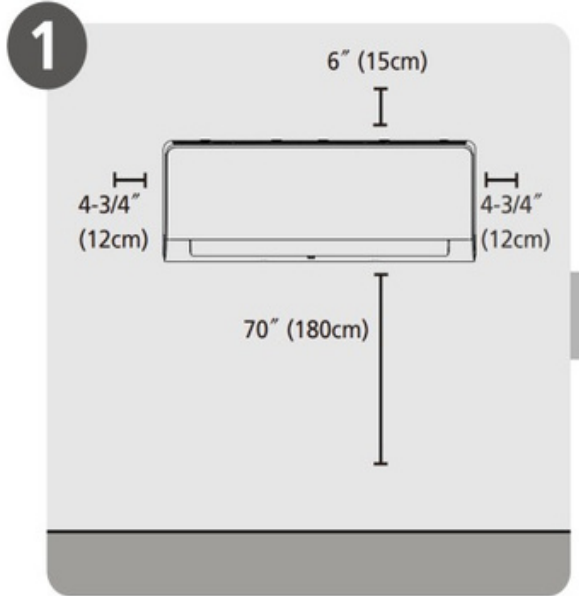


Dimensions

Outdoor Unit:
OSA32121



H	In	21.18
W	In	27.99
D	In	11.02
W2	In	31.5
W3	In	28.99



Select Installation Location

Installation Instruction

