



Submittal Data Sheet

Series Name: NG EZ CENTRAL SERIES

Air Handler Heat Pump System	
Location:	Approval:
Engineer:	Date:
Submitted to:	Construction:
Submitted by:	Unit #:
Reference:	Drawing #:



INDOOR SPECIFICATION		
Indoor Air Flow (Turbo/H/M/L/Si) (CFM)		1188.97/1083.02 / 971.19 / 865.24/
Indoor Noise Level (Turbo/H/M/L/Si) (dBA)		48/48/45/28/28
Dimension (W×D×H)	inch	21.02 x 21.02 x 49.02
	mm	534.0×534.0×1245.0
Package (W×D×H)	inch	26.57 x 24.41 x 52.56
	mm	675×620×1335
Net/Gross Weight	lbs	129.41/153.88
	kg	58.7/69.8

OUTDOOR SPECIFICATION		
Compressor Type		ROT ARY
Compressor Model		KTF310D43UMT
Refrigerant		R454B
Refrigerant Oil Charge(mL)		1000
Refrigerant Oil		VG74
Outdoor Air Flow (Max) (CFM)		2413.2
Outdoor Noise Level (dBA)		63
Dimension (W×D×H)	inch	37.24 x 16.14 x 31.89
	mm	946.0×410.0×810.0
Package (W×D×H)	inch	42.91x 19.68 x 34.84
	mm	1090×500×885
Net/Gross Weight	lbs	153.22/163.58
	kg	69.5/74.2

EFFICIENCY			
Cooling		Heating	
SEER2	16.1	HSPF2-4	8.7
EER2	10.0	COP	3.40

PERFORMANCE of Cooling	
Cooling (Btu/hr)	
Rated Capacity	36000
Min/Max Capacity	8300~38900
Moisture Removal(L/h)	3.62
Standard Operating Range(°F/°C)	-13~122(-25~50)
Rated Cooling Conditions: Indoor: 80°F DB/67°F WB Outdoor: 95°F DB/75°F WB	

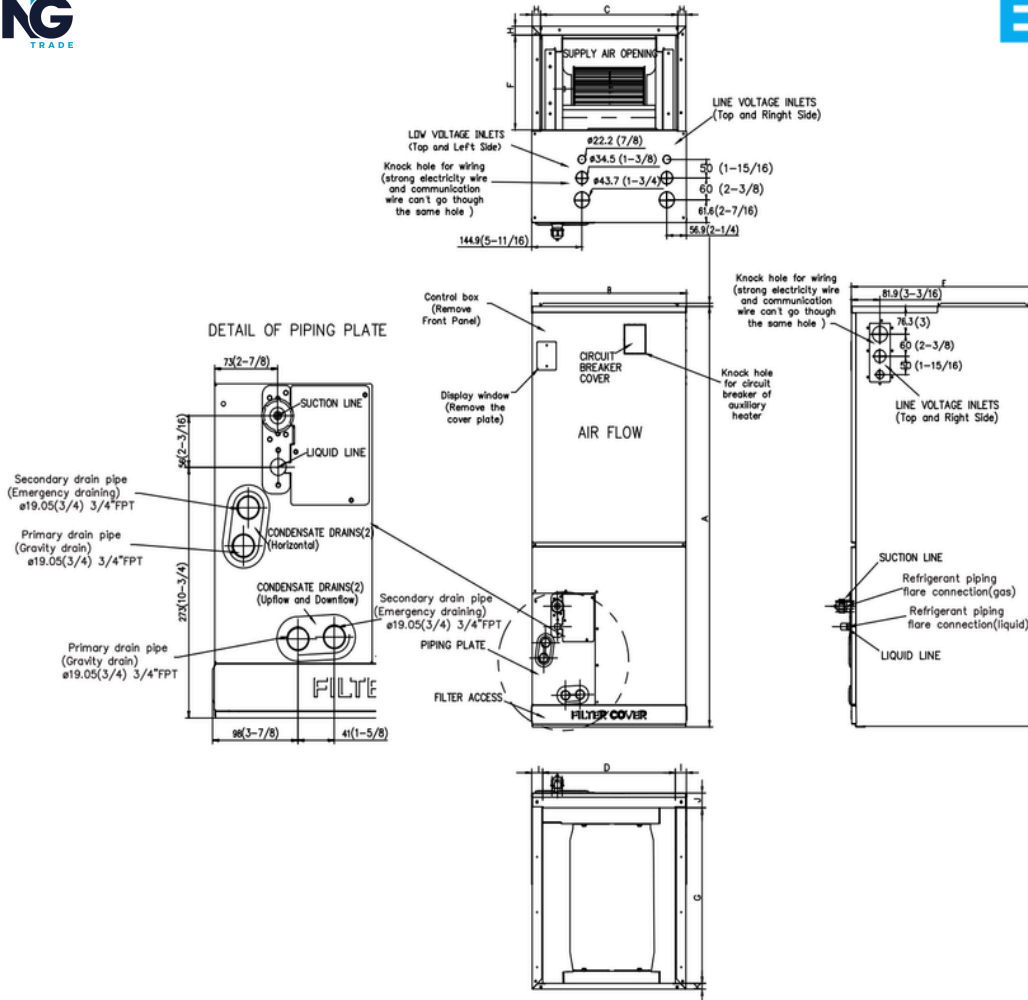
PERFORMANCE of Heating	
Heating (Btu/hr)	
1. @ 47°F Rated	36000
2. @ 47°F Min/Max Capacity	6700~41300
3. @ 17°F Rated	25600
4. @ 5°F Rated: Capacity / COP	27000/2
5. @ 5°F Max: Capacity	27000
Standard Operating Range(°F/°C)	-13~75(-25~24)
1. Rated Heating Conditions: Indoor: 70°F DB/60°F WB Outdoor: 47°F DB/43°F WB	
2. Rated Heating Conditions: Indoor: 70°F DB/60°F WB Outdoor: 17°F DB/15°F WB	
3. Heating Conditions, Compressor Operating at Max. Frequency Indoor: 70°F DB/60°F WB Outdoor: 5°F DB/5°F WB	

ELECTRICAL	
Indoor Power Supply	115/208/230V,60Hz,1Ph
Indoor MCA 115V/(208/230V)	8.0/6.0
Indoor MOP	15
Outdoor Power Supply	208/230V,60Hz,1Ph
Outdoor MCA	24
Outdoor MOP	30
Communication Wiring	AWG 20-2
Compressor RLA	17.5
Outdoor Fan Motor RLA	1.5
Outdoor Fan Motor W	120
Indoor Fan Motor RLA	4.5
Indoor Fan Motor W	375
System Power Input @ Cooling (W)	3600(710 ~ 4500)
System Power Input @ Heating (W)	3100(460 ~3550)
MCA: Min. circuit amps (A)	MOCP: Max. over current protection (A)
RLA: Rated load amps (A)	W: Fan motor rated output (W)

PIPING	
Throttle type(Indoor)	EXV
Throttle type(Outdoor)	EXV
Liquid Size	9.52mm(3/8in)
Gas Size	19mm(3/4in)
Max. Piping Length(ft/m)	246(75)
Max. Height Difference(ft/m)	98.4(30)
Max. Pre-charged Length(ft/m)	24.6(7.5)
Refrigerant Pre-charged Amount(oz/kg)	116.4(3.3)
Additional Charge of Refrigerant((oz/ft)/(g/m))	0.7(65)
Connection Method	Flared

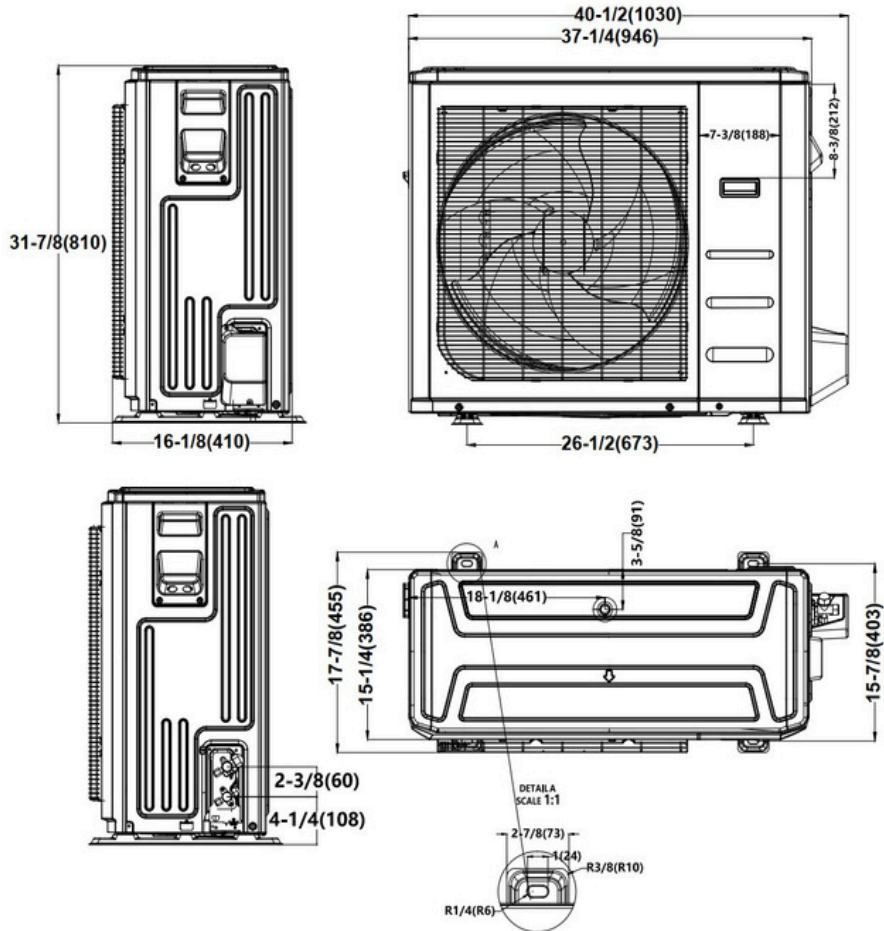
NG products are subject to continuous improvements. NG reserves the right to modify product design, specifications and information in this data sheet without notice and without incurring any obligations. Actual unit design may differ from images shown in this submittal sheet.

Indoor Unit Dimension

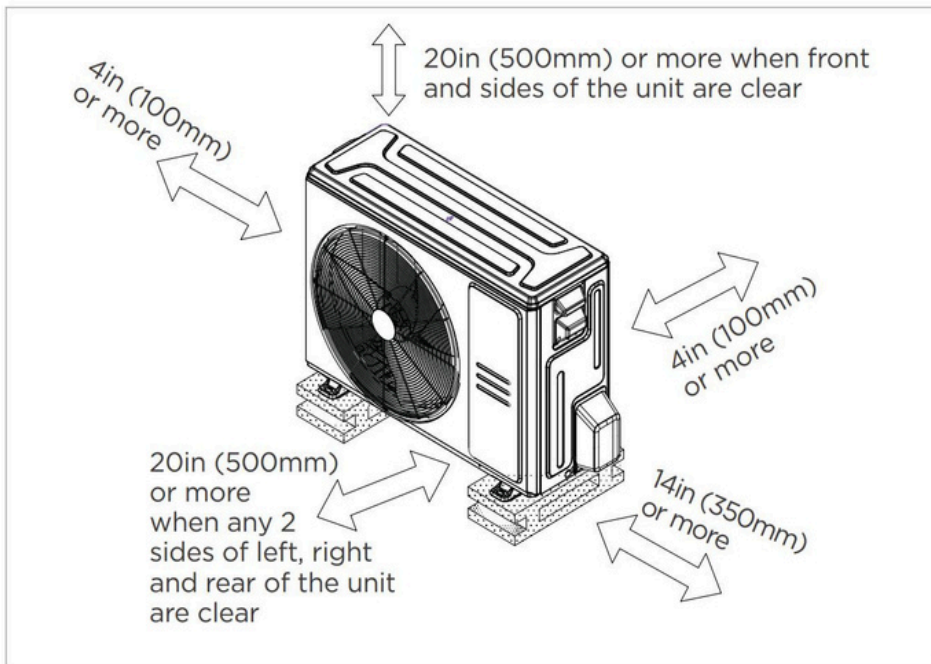


Dimensions	Model	18k/24k		30k/36k		48k/60k	
		inch	mm	inch	mm	inch	mm
A	Model Height	45	1143	49	1245	53	1346
B	Model Width	17-1/2	445	21	534	24-1/2	622
C	Supply Air Opening Width	15-5/8	397	19-1/8	486	22-5/8	575
D	Return Air Opening Width	15-1/8	384	18-5/8	473	22-1/8	562
E	Model Depth	21	534	21	534	21	534
F	Supply Air Opening Depth	10-1/4	260	10-1/4	260	10-1/4	260
G	Return Air Opening Depth	18-3/4	476	18-3/4	476	18-3/4	476
H	Supply Air Opening Clearance	15/16	24	15/16	24	15/16	24
I	Return Air Opening Side Clearance	1-1/4	32	1-1/4	32	1-1/8	28
J	Return Air Opening Front Clearance	1-1/2	38	1-5/8	41	1-5/8	41
K	Return Air Opening Back Clearance	5/8	16	5/8	16	3/4	19

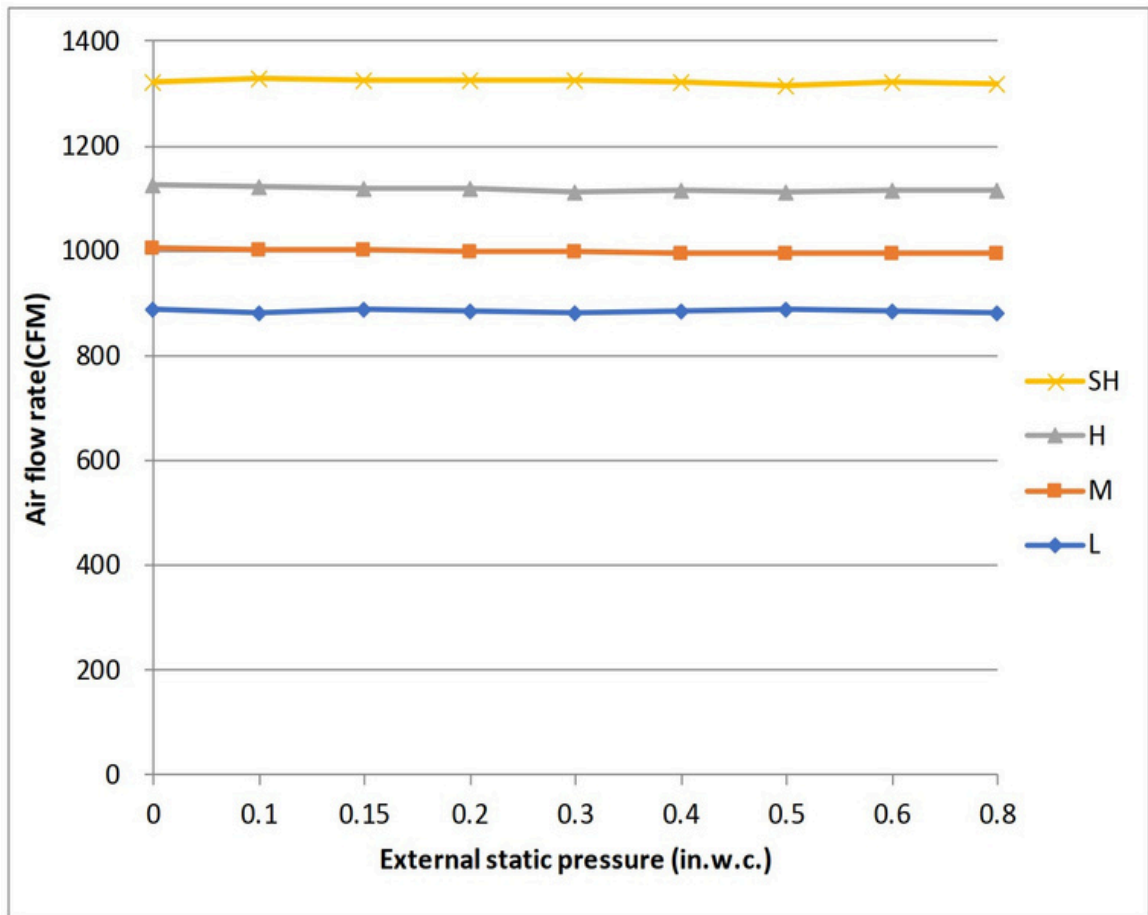
Outdoor Unit Dimension



Installation Instruction For Outdoor Unit



Fan Performance For Indoor Unit



Features

- Multi-position installation: horizontal(left or right), vertical(up or down)
- Aluminum Coil
- Constantly Air Flow system up to 0.80 In.W.G
- 1 inch R4.2 fiberglass free insulation reduces condensation and boosts efficiency(optional)
- Optional Auxiliary heat kit up to 25kW
- Easy Maintenance
- Multiple control options available:
 - Two way communication wired controller:120N(X6)
 - Two way communication wired controller with built-in WiFi:120N(X6W)
 - Wireless remote controller
 - Third-Party 24V Thermostat
- Adaptive Control System
- High efficiency up to 18.8 SEER2, 11 EER2, 9.7 HSPF2
- Chassis heater and crankcase heater equipped as standard